

Thread-wind'er. A machine for spooling thread, etc.

In that shown (Fig. 6407), a friction-wheel *C* imparts motion to a small wheel on the axis carrying the spool. The thread-guide *FL* has an adjustable pivot, by which it is adapted to different sizes of spools and thread, and is traversed, to lay the thread evenly on the spool, by a cam-wheel *R* rotated by a screw-thread on the shaft *E*.

Fig. 6408 is a machine for laying the exterior layers of button-hole twist, etc., on the spool, so as to form various patterns. The spool is placed on a spindle upon the pulley *M*, and part of

Fig. 6408.

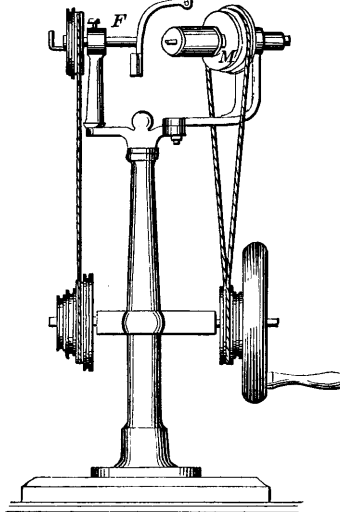
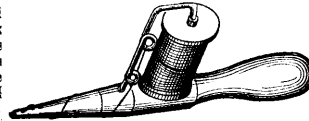


Fig. 6410.

the thread and the ax upon the s upon the s and the ve

Fig. 6408 cassimeres and wound it by slots sectional p cord to be



Thread-Winding Guide.

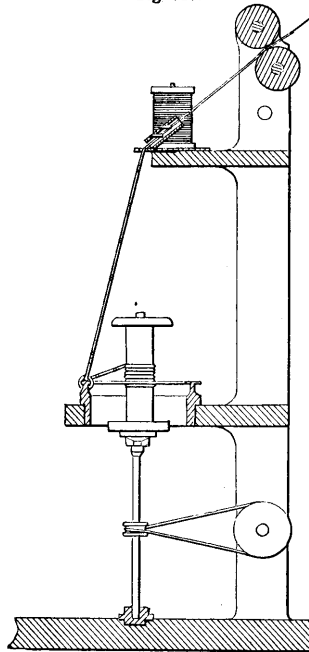
161

he flyer *F* : rewound depending ; pulley *M*

ing fancy or twisted guided to ducted ; a ery of the

intermitted as desired, or the cord may be drawn

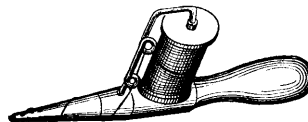
Fig. 6409.



Machine for Producing Variegated Thread.

back a short distance from time to time, or the thread-guide may be reciprocated.

Fig. 6410.



Thread-Winding Guide.

161