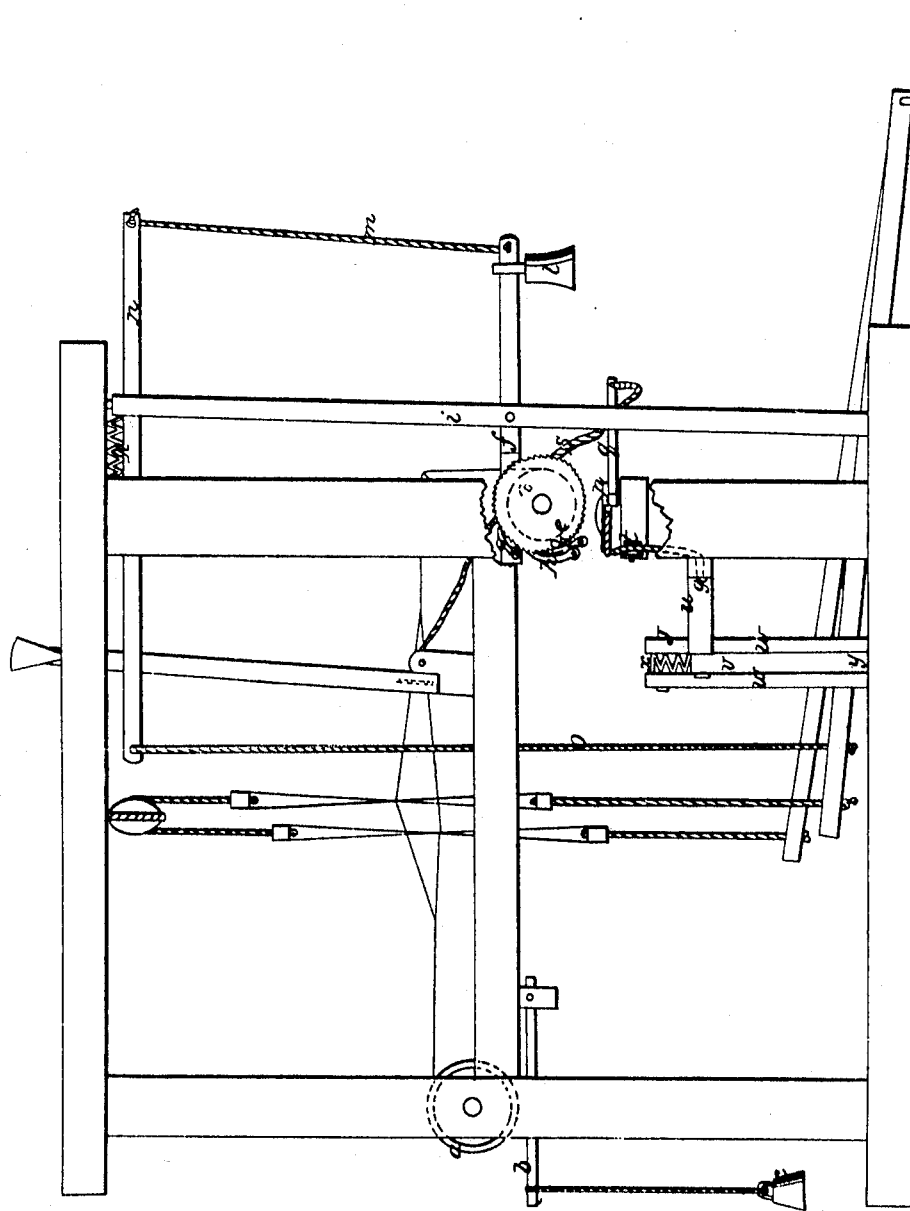


2848x

Sheet 1-2 Sheets.

B. Cumings.
Hand Loom.

Patented Oct. 3, 1817.



2848X

Sheet 2-2 Sheets.

B. Cumings.
Hand Loom.

Patented Oct. 3, 1877.

