

June 17, 1930.

W. NICOLET

1,764,577

MEANS FOR WEAVING FABRICS

Filed Oct. 22, 1928

4 Sheets-Sheet 1

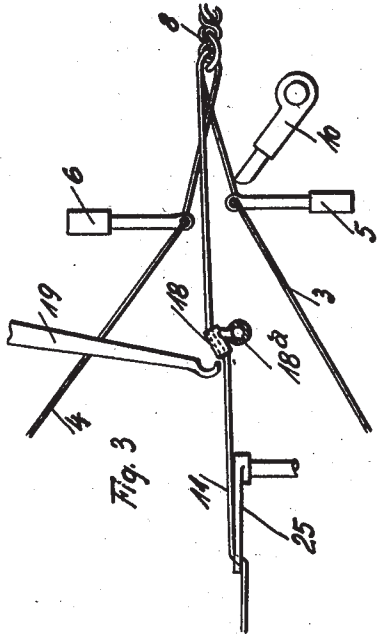


Fig. 3

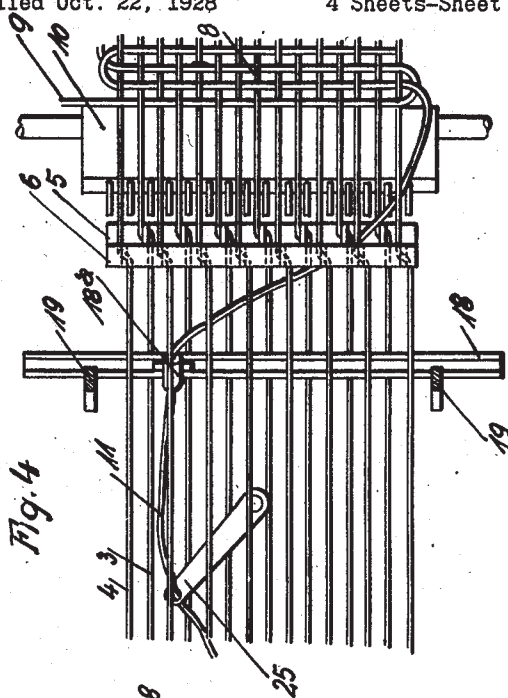


Fig. 4

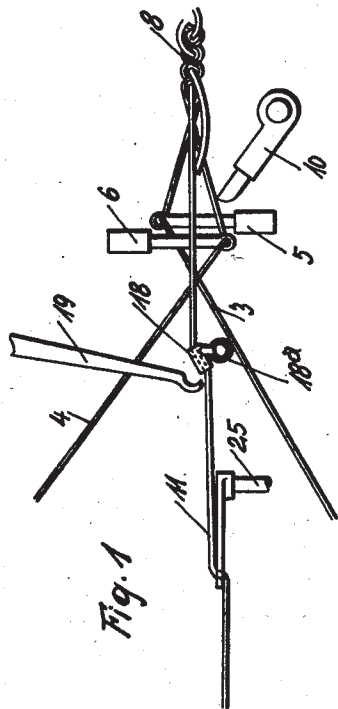


Fig. 1

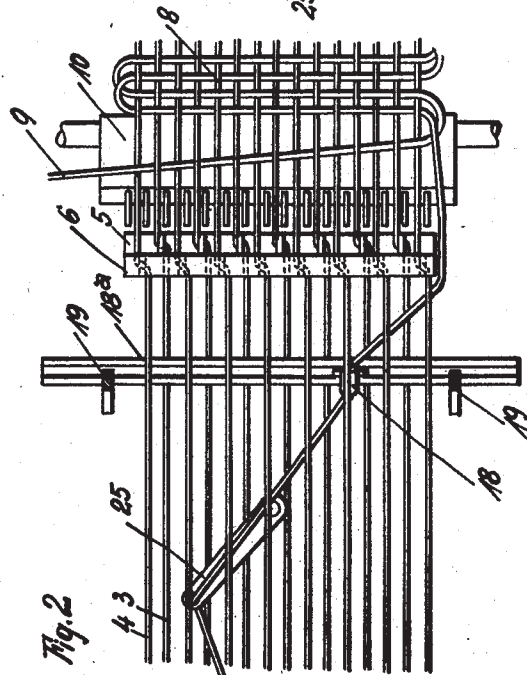


Fig. 2

Inventor:
Walter Nicolet
by *Kleinmann's*
Att'y

June 17, 1930.

W. NICOLET

1,764,577

MEANS FOR WEAVING FABRICS

Filed Oct. 22, 1928

4 Sheets-Sheet 2

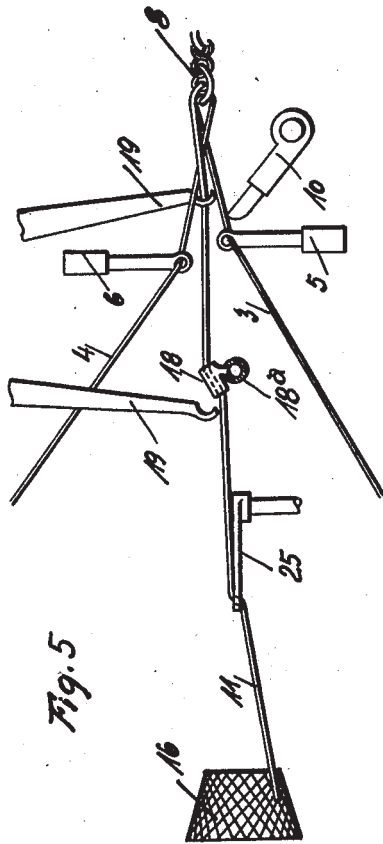


Fig. 5

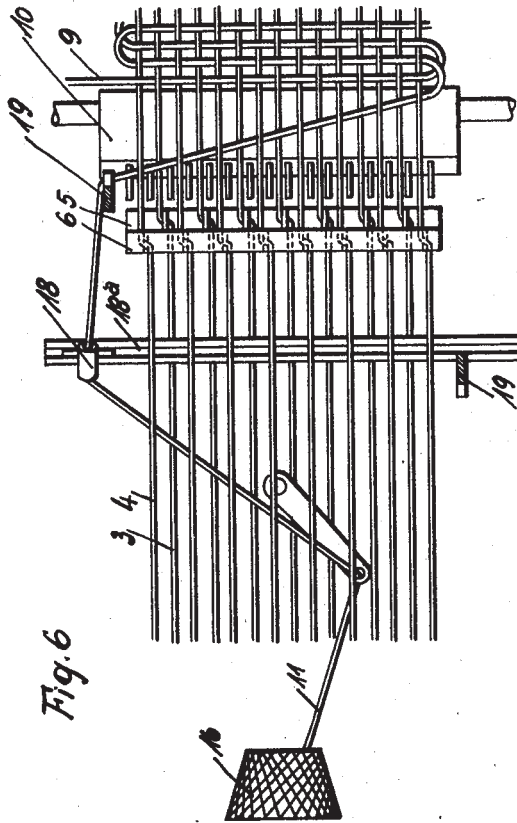


Fig. 6

Inventor:
Walter Nicolet
by Kleinknecht
Atty.

June 17, 1930.

W. NICOLET

1,764,577

MEANS FOR WEAVING FABRICS

Filed Oct. 22, 1928

4 Sheets-Sheet 3

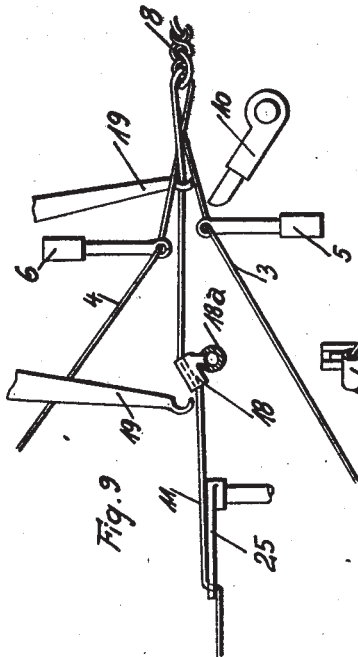


Fig. 9

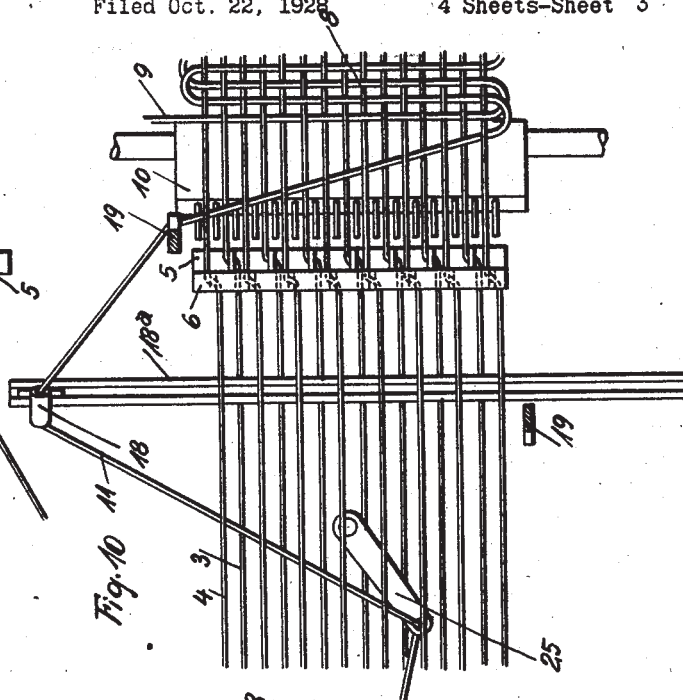


Fig. 10

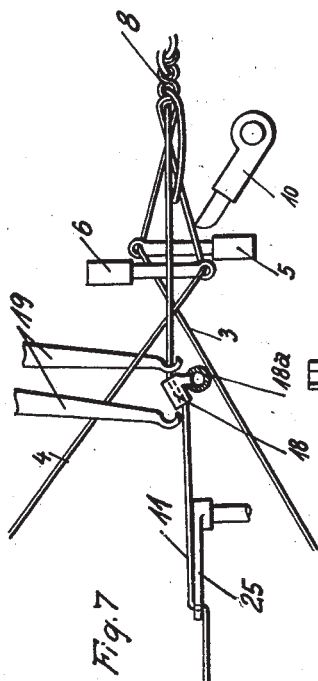


Fig. 7

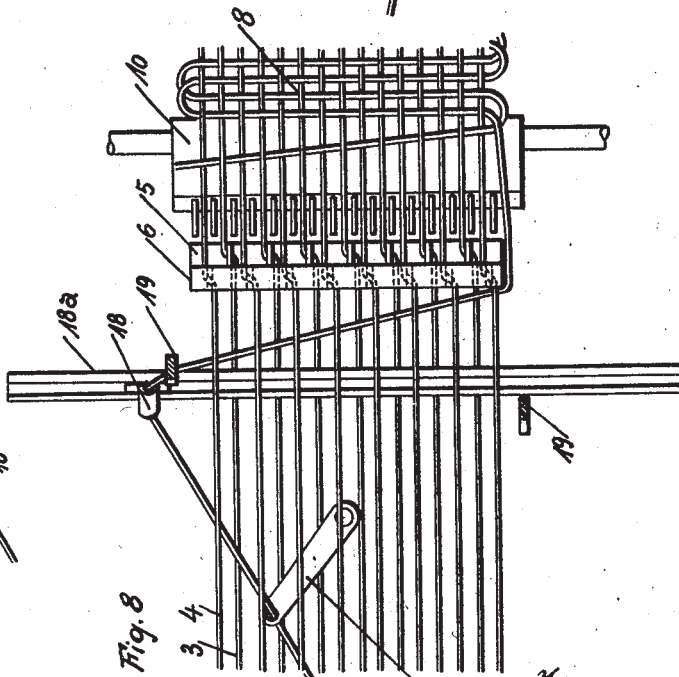


Fig. 8



Inventor:
Walter Nicolet
by Kuechler's
Atty.

June 17, 1930.

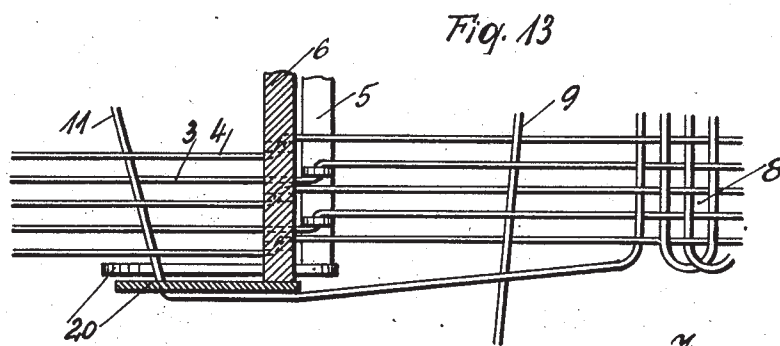
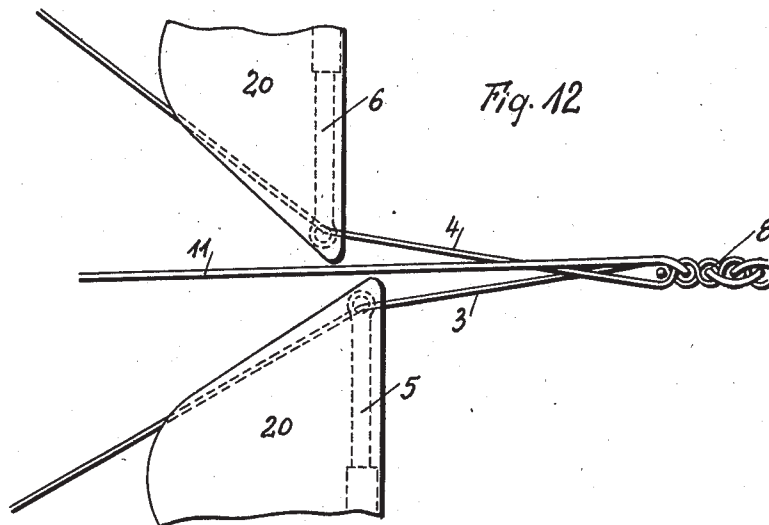
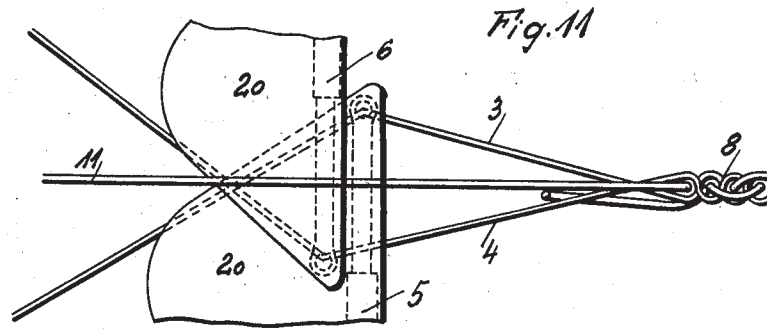
W. NICOLET

1,764,577

MEANS FOR WEAVING FABRICS

Filed Oct. 22, 1928

4 Sheets-Sheet 4



Inventor:
Walter Nicolet
by *[Signature]*
Atty.